

# Information and Instructions

This individual shop manual is one unit of a series on wheel type tractors. Contained in it are the necessary specifications and the brief but terse procedural data needed by a mechanic when repairing a tractor on which he has had no previous actual experience.

The material is arranged in a systematic order beginning with an index which is followed immediately by a Table of Condensed Service Specifications. These specifications include dimensions, fits, clearances and timing instructions. Next in order of arrangement is the procedures paragraphs.

In the procedures paragraphs, the order of presentation starts with the front axle system and steering and proceeding toward the rear axle. The last paragraphs are devoted to the power take-off and power lift systems. Interpersed where needed are additional tabular specifications pertaining to wear limits, torquing, etc.

## HOW TO USE THE INDEX

Suppose you want to know the procedure for R&R (remove and reinstall) of the engine camshaft. Your first step is to look in the index under the main heading of ENGINE until you find the entry "Camshaft." Now read to the right where under the column covering the tractor you are repairing, you will find a number which indicates the beginning paragraph pertaining to the camshaft. To locate this wanted paragraph in the manual, turn the pages until the running index appearing on the top outside corner of each page contains the number you are seeking. In this paragraph you will find the information concerning the removal of the camshaft.

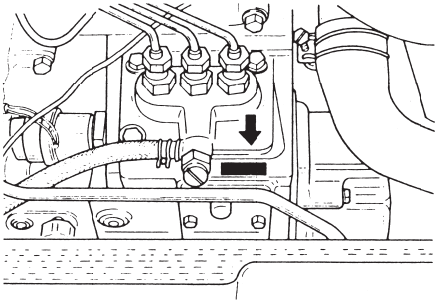
# SHOP MANUAL

# MITSUBISHI

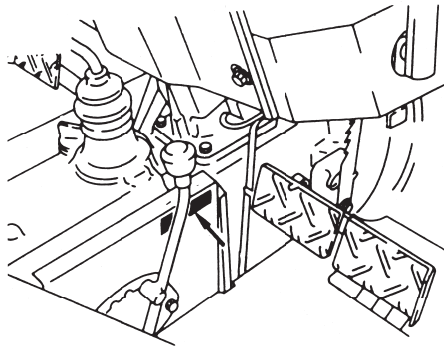
## MODELS

**MT160—MT160D—MT180—MT180D—MT180H—MT180HD—  
MT210—MT210D—MT250—MT250D—MT300—MT300D**

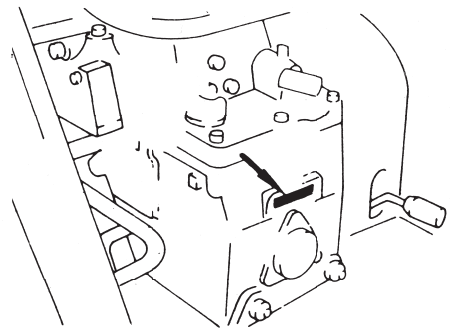
Engine serial number is stamped on right, front side of cylinder block (Fig. 1) on all models. Tractor chassis serial number is located at front of range transmission housing (Fig. 2A) on Models MT300 and MT300D. On all other models, chassis serial number is located on right side of transmission housing (Fig. 2).



**Fig. 1—Engine serial number location on all models.**



**Fig. 2—Chassis serial number location on all models except MT300 and MT300D.**



**Fig. 2A—Chassis serial number location on Models MT300 and MT300D.**

## INDEX (BY STARTING PARAGRAPH)

	MT160	MT160D	MT180	MT180D	MT180H	MT180HD
<b>BRAKES</b>						
Adjustment . . . . .	141	141	141	141	141	141
R&R and Overhaul . . . . .	142	142	142	142	142	142
<b>CLUTCH, ENGINE</b>						
Adjustment . . . . .	75	75	75	75	75	75
Clutch Split . . . . .	76	76	76	76	76	76
Overhaul . . . . .	78	78	78	78	78	78
Release Bearing and Shaft . . . . .	80	80	80	80	80	80
<b>COOLING SYSTEM</b>						
Radiator . . . . .	65	65	65	65	65	65
Thermostat . . . . .	68	68	68	68	68	68
Water Pump . . . . .	67	67	67	67	67	67

# INDEX (CONT.)

	MT160	MT160D	MT180	MT180D	MT180H	MT180HD
<b>DIESEL FUEL SYSTEM</b>						
Filter and						
Bleeding .....	51	51	51	51	51	51
Fuel Shut-Off						
Solenoid .....	64	64	64	64	64	64
Glow Plugs .....	63	63	63	63	63	63
Governor .....	55	55	55	55	55	55
Injection Pump .....	52	52	52	52	52	52
Injection Pump						
Camshaft .....	54	54	54	54	54	54
Injector Nozzles .....	57	57	57	57	57	57
<b>DIFFERENTIAL AND BEVEL GEARS</b>						
Differential .....	133	133	133	133	133	133
R&R Bevel Gears .....	132	132	132	132	132	132
<b>ELECTRICAL SYSTEM</b>						
Alternator and						
Regulator .....	69	69	69	69	69	69
Fuel Shut-Off						
Solenoid .....	72	72	72	72	72	72
Safety Start Switch .....	71	71	71	71	71	71
Starting Motor .....	70	70	70	70	70	70
<b>ENGINE</b>						
Assembly, R&R .....	29	29	29	29	29	29
Camshaft and Bearing .....	39	39	39	39	39	39
Connecting Rods and						
Bearings .....	45	45	45	45	45	45
Crankshaft and						
Main Bearings .....	46	46	46	46	46	46
Crankshaft Rear						
Oil Seal .....	47	47	47	47	47	47
Cylinder Head .....	31	31	31	31	31	31
Flywheel .....	48	48	48	48	48	48
Oil Pump and						
Relief Valve .....	49	49	49	49	49	49
Piston Pins .....	43	43	43	43	43	43
Piston and Rings .....	42	42	42	42	42	42
Piston and Rod						
Units .....	40	40	40	40	40	40
Rocker Arms and						
Shaft .....	35	35	35	35	35	35
Timing Gear Cover .....	37	37	37	37	37	37
Timing Gears .....	38	38	38	38	38	38
Valve Clearance						
Adjustment .....	32	32	32	32	32	32
Valve Guides and						
Springs .....	34	34	34	34	34	34
Valves and Seats .....	33	33	33	33	33	33
Valve Timing .....	36	36	36	36	36	36
<b>FINAL DRIVE</b> .....	137	137	137	137	137	137
<b>FRONT AXLE SYSTEM</b>						
Axle Main						
Member .....	1	...	1	...	1	...
Steering Spindles .....	5	...	5	...	5	...
Tie Rods .....	4	...	4	...	4	...
<b>FRONT-WHEEL DRIVE</b>						
Front Axle .....	...	8	...	8	...	8
Outer Drive .....	...	11	...	11	...	11
Tie Rod .....	...	10	...	10	...	10

## INDEX (CONT.)

	MT160	MT160D	MT180	MT180D	MT180H	MT180HD
<b>HYDRAULIC SYSTEM</b>						
Control Valve.....	172	172	173	173	173	173
Fluid and Filter.....	154	154	154	154	154	154
Hydraulic Housing.....	174	174	174	174	174	174
Linkage Adjustment.....	162	162	162	162	162	162
Pump.....	170	170	170	170	170	170
Test and Adjust.....	156	156	157	157	157	157
Trouble-Shooting.....	160	160	161	161	161	161
<b>MANUAL STEERING SYSTEM</b>						
Overhaul.....	19	19	19	19	19	19
Remove and Reinstall.....	18	18	18	18	18	18
<b>POWER TAKE-OFF.....</b>	<b>145</b>	<b>145</b>	<b>145</b>	<b>145</b>	<b>145</b>	<b>145</b>
<b>TRANSMISSION</b>						
Hydrostatic.....	...	...	...	...	120	120
Range.....	83	83	83	83	127	127
Speed.....	83	83	83	83	...	...

## INDEX (BY STARTING PARAGRAPH)

	MT210	MT210D	MT250	MT250D	MT300	MT300D
<b>BRAKES</b>						
Adjustment.....	141	141	141	141	143	143
R&R and Overhaul.....	142	142	142	142	144	144
<b>CLUTCH, ENGINE</b>						
Adjustment.....	75	75	75	75	75	75
Clutch Split.....	77	77	77	77	77	77
Overhaul.....	78	78	78	78	79	79
Release Bearing and Shaft.....	80	80	80	80	81	81
<b>COOLING SYSTEM</b>						
Radiator.....	66	66	66	66	66	66
Thermostat.....	68	68	68	68	68	68
Water Pump.....	67	67	67	67	67	67
<b>DIESEL FUEL SYSTEM</b>						
Filter and Bleeding.....	51	51	51	51	51	51
Fuel Shut-Off Solenoid.....	64	64	64	64	64	64
Glow Plugs.....	63	63	63	63	63	63
Governor.....	55	55	55	55	55	55
Injection Pump.....	52	52	52	52	52	52
Injection Pump Camshaft.....	54	54	54	54	54	54
Injector Nozzles.....	57	57	57	57	57	57
<b>DIFFERENTIAL AND BEVEL GEARS</b>						
Differential.....	133	133	133	133	134	134
R&R Bevel Gears.....	132	132	132	132	132	132
<b>ELECTRICAL SYSTEM</b>						
Alternator and Regulator.....	69	69	69	69	69	69
Fuel Shut-Off Solenoid.....	72	72	72	72	72	72
Safety Start Switch.....	71	71	71	71	71	71
Starting Motor.....	70	70	70	70	70	70

# INDEX (CONT.)

	MT210	MT210D	MT250	MT250D	MT300	MT300D
<b>ENGINE</b>						
Assembly, R&R.....	30	30	30	30	30	30
Camshaft and Bearing.....	39	39	39	39	39	39
Connecting Rods and Bearings.....	45	45	45	45	45	45
Crankshaft and Main Bearings.....	46	46	46	46	46	46
Crankshaft Rear Oil Seal.....	47	47	47	47	47	47
Cylinder Head.....	31	31	31	31	31	31
Flywheel.....	48	48	48	48	48	48
Oil Pump and Relief Valve.....	49	49	49	49	49	49
Piston Pins.....	43	43	44	44	44	44
Piston and Rings.....	42	42	42	42	42	42
Piston and Rod Units.....	40	40	41	41	41	41
Rocker Arms and Shaft.....	35	35	35	35	35	35
Timing Gear Cover.....	37	37	37	37	37	37
Timing Gears.....	38	38	38	38	38	38
Valve Clearance Adjustment.....	32	32	32	32	32	32
Valve Guides Springs.....	34	34	34	34	34	34
Valves and Seats.....	33	33	33	33	33	33
Valve Timing.....	36	36	36	36	36	36
<b>FINAL DRIVE.....</b>	<b>138</b>	<b>138</b>	<b>138</b>	<b>138</b>	<b>139</b>	<b>139</b>
<b>FRONT AXLE SYSTEM</b>						
Axle Main Member.....	2	...	2	...	3	...
Steering Spindles.....	6	...	6	...	7	...
Tie Rods.....	4	...	4	...	4	...
<b>FRONT-WHEEL DRIVE</b>						
Front Axle.....	...	8	...	8	...	9
Outer Drive.....	...	12	...	12	...	13
Tie Rod.....	...	10	...	10	...	10
<b>HYDRAULIC SYSTEM</b>						
Control Valve.....	173	173	173	173	173	173
Fluid and Filter.....	154	154	154	154	154	154
Hydraulic Housing.....	175	175	175	175	176	176
Linkage Adjustment.....	164	164	164	164	167	167
Pump.....	170	170	170	170	170	170
Test and Adjust.....	158	158	158	158	159	159
Trouble-Shooting.....	161	161	161	161	161	161
<b>MANUAL STEERING SYSTEM</b>						
Overhaul.....	21	21	21	21	21	21
Remove and Reinstall.....	20	20	20	20	20	20
<b>POWER STEERING SYSTEM</b>						
Flow Divider Valve.....	25	25	25	25	...	...
Lubrication and Bleeding.....	23	23	23	23	23	23
Operating Pressure and Relief Valve.....	24	24	24	24	24	24
Pump.....	26	26	26	26	26	26
Steering Gear.....	27	27	27	27	27	27
<b>POWER TAKE-OFF.....</b>	<b>146</b>	<b>146</b>	<b>146</b>	<b>146</b>	<b>146</b>	<b>146</b>